



Cisco TelePresence SX10 Quick Set

INSTALLATION GUIDE





This package contains:

- Cisco TelePresence SX10 Quick Set
- Cisco TelePresence TRC6 remote control
- 2 x AAA batteries
- Bracket for wall mounting
- HDMI monitor cable (2 m / 6.6 ft)
- LAN cable (5 m / 16.4 ft)

Optional accessories:

- VESA screen mounting kit
- VGA presentation cable (6 m / 19.7 ft)
- HDMI presentation cable (6 m / 19.7 ft)
- Cisco TelePresence Table Microphone 20
- Power adapter and power cable (1.8 m / 5.9 ft)

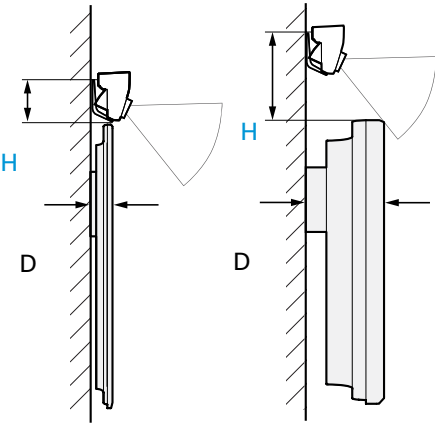
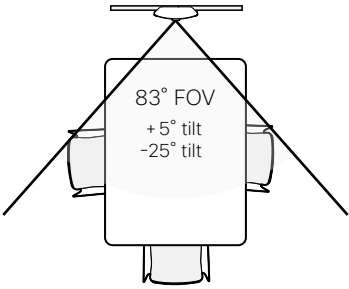
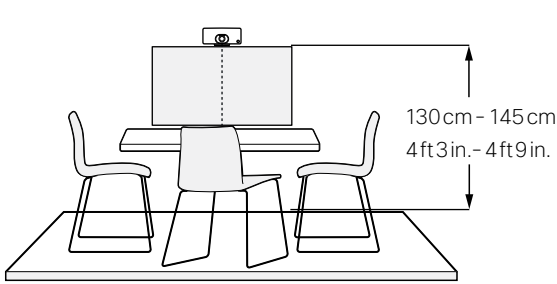
User guides

For user guides and compliance and safety information for this product, go to: www.cisco.com/go/sx-docs.

Cisco and the Cisco logo are trademarks or registered trademarks of Cisco and/or its affiliates in the U.S. and other countries. To view a list of Cisco trademarks, go to this URL: www.cisco.com/go/trademarks. Third-party trademarks mentioned are the property of their respective owners. The use of the word partner does not imply a partnership relationship between Cisco and any other company. (1110R)

SX10 wall mounting

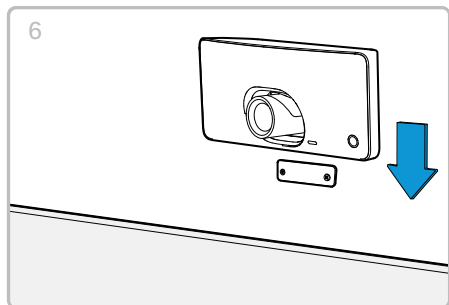
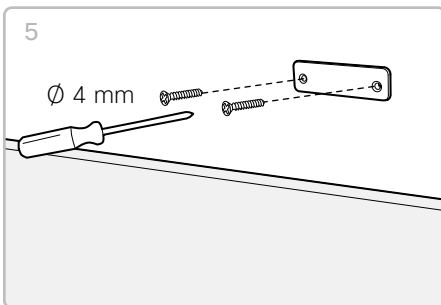
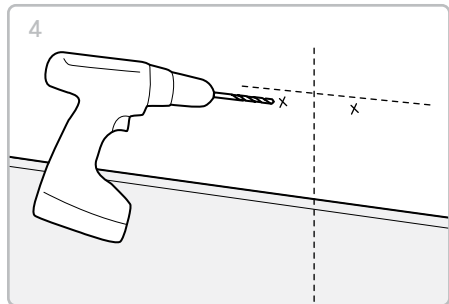
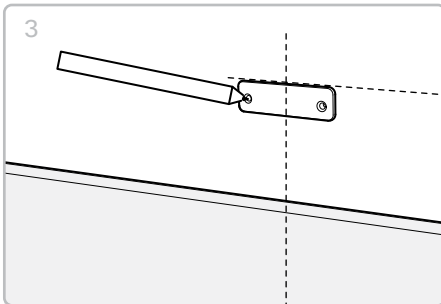
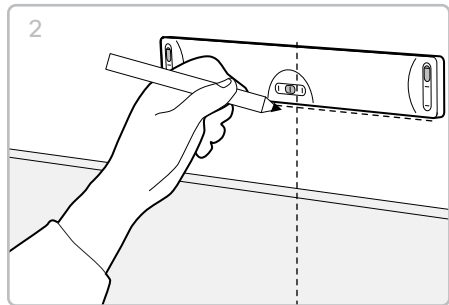
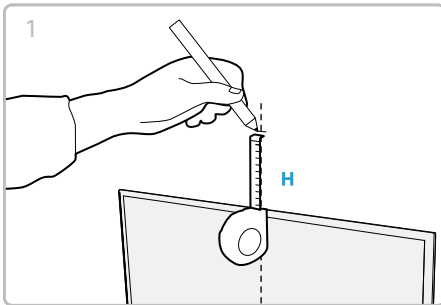
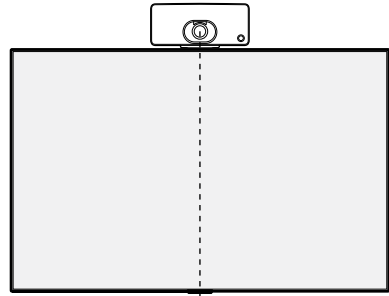
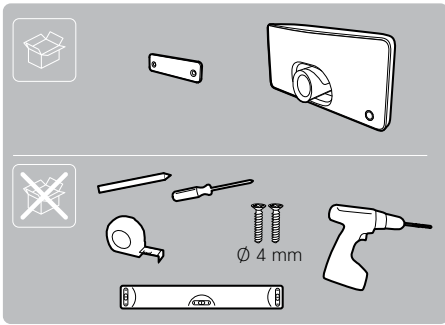
Align the lens height with eye-level to ensure eye contact in video conferences.



TV depth	Wall mount height
D	H
<100 mm <3.94 in.	110 mm 4.33 in.
100 - 130 mm 3.94 - 5.12 in.	130 mm 5.12 in.
130 - 150 mm 5.12 - 5.91 in.	150 mm 5.91 in.
150 - 170 mm 5.91 - 6.69 in.	170 mm 6.69 in.
170 - 190 mm 6.69 - 7.48 in.	185 mm 7.48 in.

For more information on how to best set up a video conferencing room, please read the video conferencing room design guides available at www.cisco.com/go/sx-docs and visit the Project Workplace tool at www.cisco.com/go/projectworkplace.

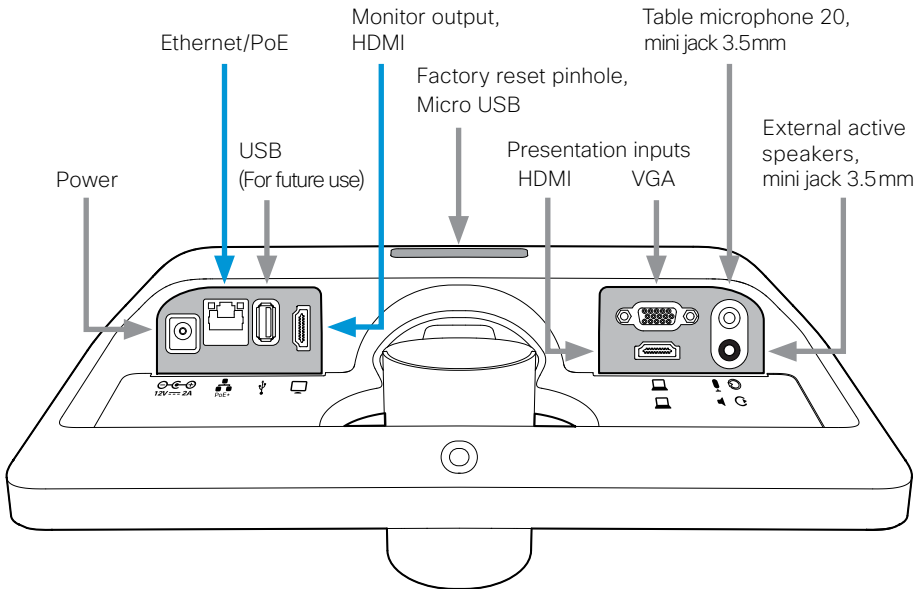
NOTE: This type of equipment is to be installed by the submittor's/dealer's qualified installer. Installer is responsible for obtaining safety inspection of the structural integrity of the installation by the local authority/inspection department.



Connect the cables

1. Connect the SX10 to your monitor with the provided HDMI monitor cable.
2. Connect the LAN cable from the SX10 to an Ethernet wall plug. If Power over Ethernet (PoE) is available, the SX10 is powered through this cable.

If the network does not support PoE, use the optional power adapter, or a PoE injector.



Power over Ethernet (PoE)

The PoE source (network switch or PoE injector) must be located in the same building as the SX10 device. The maximum cable length when connecting the SX10 to a PoE source is 50 m / 164 ft.

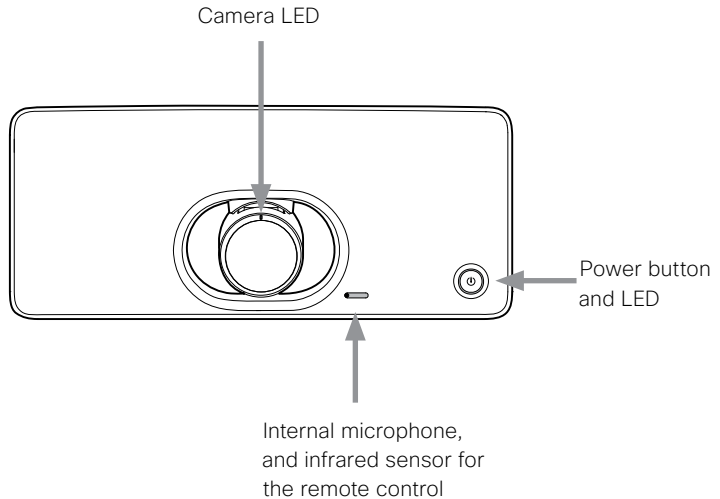
NOTE: Do not connect an external device to the USB port.

Start the system

1. The SX10 starts up automatically when the power is connect. If it does not start automatically, push the power button.
2. The power button's LED lights up when the system starts up.
3. Follow the instructions on the on-screen wizard.

For further information on configuring your video system, download the *Getting Started Guide* from www.cisco.com/go/sx-docs.

If there is a problem with the start up, the power button's LED turns red. Please contact support for assistance.



Monitor settings

To achieve the best possible synchronization of audio and video, check the monitor settings.

- Choose the 'Game Mode' setting, if the monitor is equipped with it. It is specifically designed to help reduce the response time and to reduce any delay.
- Switch off any additional audio processing effects, as these may lead to nonsynchronized audio and video.

Optional: SX10 screen mounting with VESA bracket

